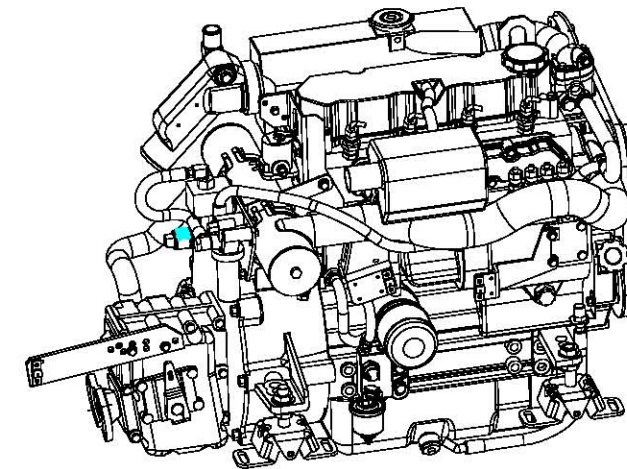
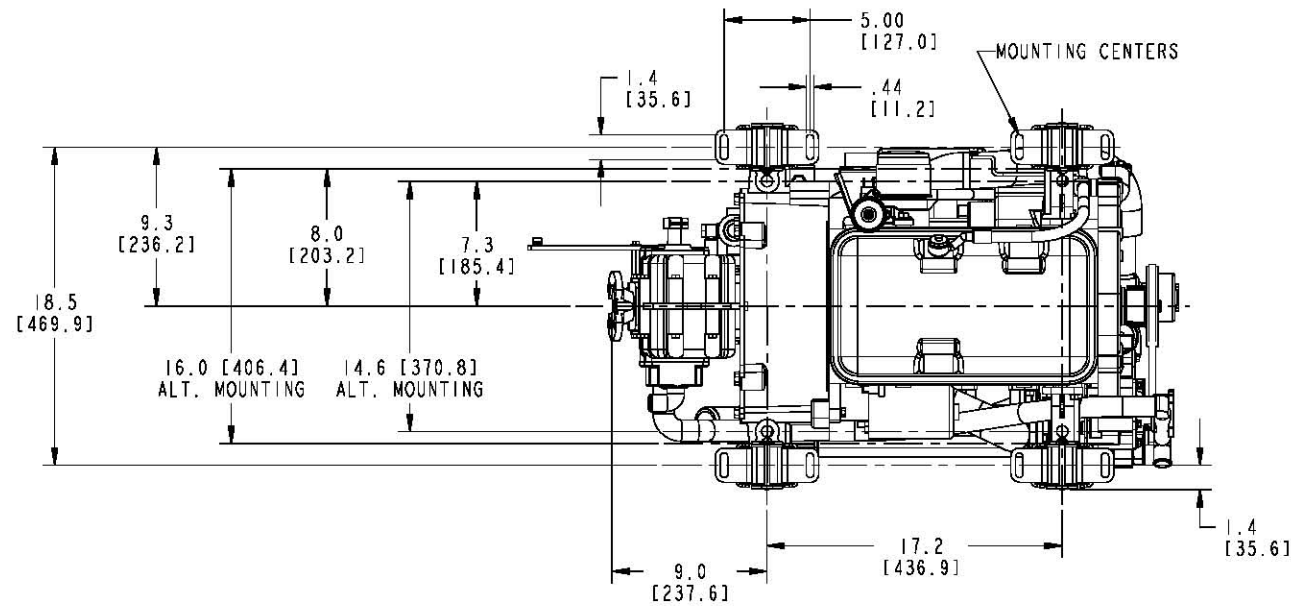
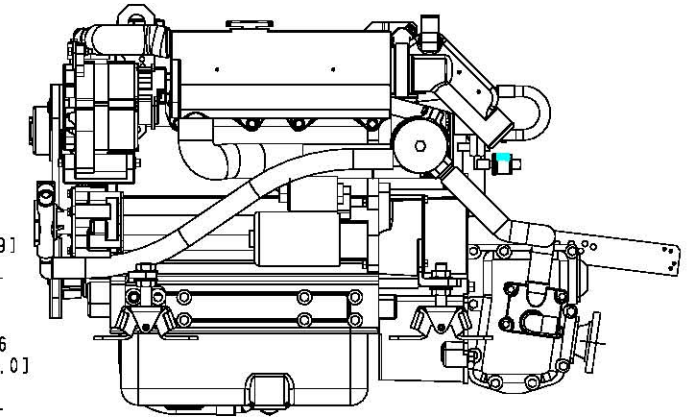
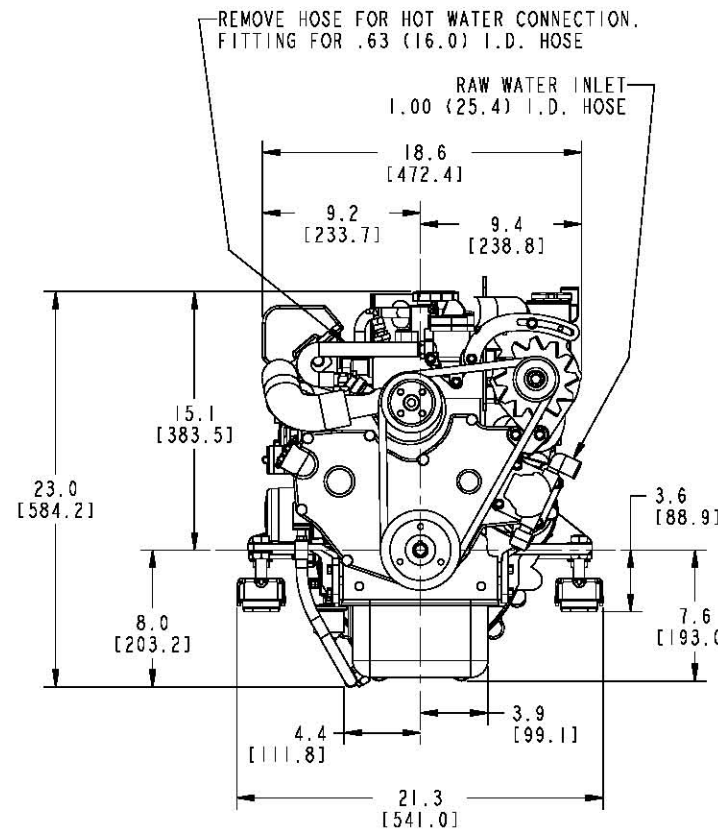
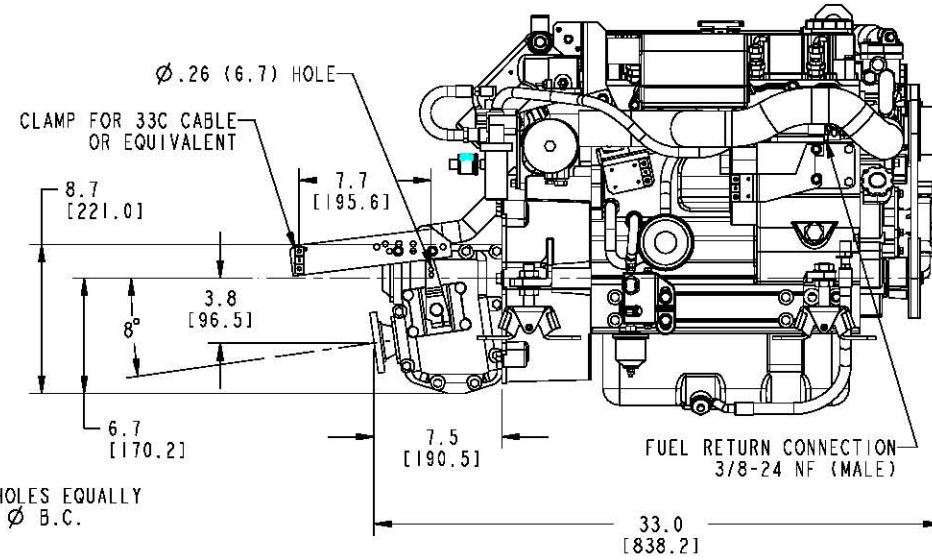
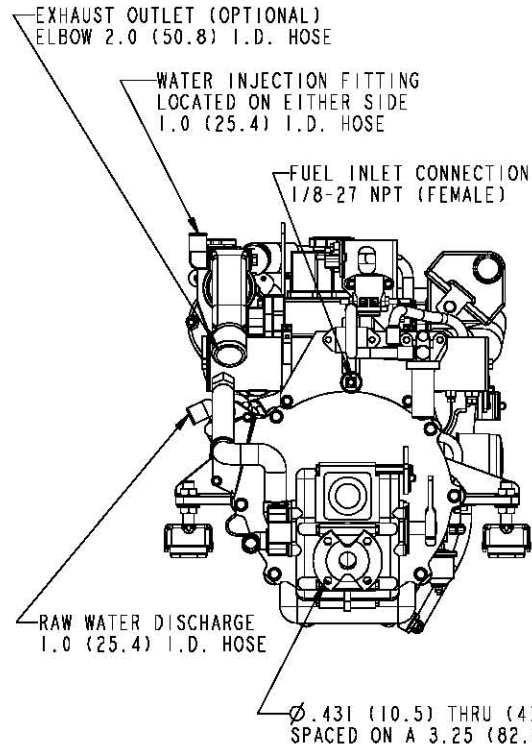
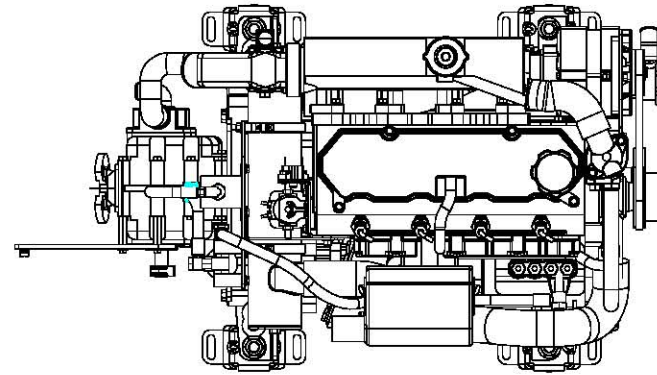


ECO NO.	DATE	REV.	REVISION RECORD	AUTH.	DR. BY
5317	07-09-2002	A	UPDATE ASM TO REFLECT CURRENT BOM		BM
5426	12-12-02	B	ADDED PART #48076 TO ASSEMBLY		BM



MODEL WITH 72 AMP ALTERNATOR

TOLERANCES (UNLESS OTHERWISE NOTED)		WESTERBEKE CORPORATION TAUNTON, MA. 02780	
INCHES .XX ± .02 .XXX ± .005 CAST ANGLES ± .5° FINISH	MILLIMETERS X ± 1.0 X ± .5 .XX ± .13	TITLE INSTALLATION DRAWING 44A FOUR WITH HBW150A TRANSMISSION	
DIMENSIONS ← INCHES → ← MILLIMETERS → (WHEN APPLICABLE)		DRAWN BY DATE APPROVED BY DATE	MATERIAL: 02/JUL/02
SCALE .187		SIZE D	DRAWING NUMBER 44109
SHT. 1 OF 1		REV. B	